

Industrial Unmanaged DIN-Rail Gigabit Ethernet Switch 1 * 10/100/1000BASE-T and 1 * 1000BASE-X Gigabit / SFP

1
1000M
Ethernet

Overview

VOSCOM VOS-IR-1GE1GF Unmanaged Industrial Ethernet Switch provide one 10/100/1000Base RJ-45 copper ports and one 1000Base-X or SFP fiber optic port for long distance connectivity.

1
Fiber

This Ethernet switch features 10/100/1000Mbps transfer speeds, full/half-duplex auto-negotiation, and auto MDI/MDIX operation, allowing for fast and hassle-free connection and setup.

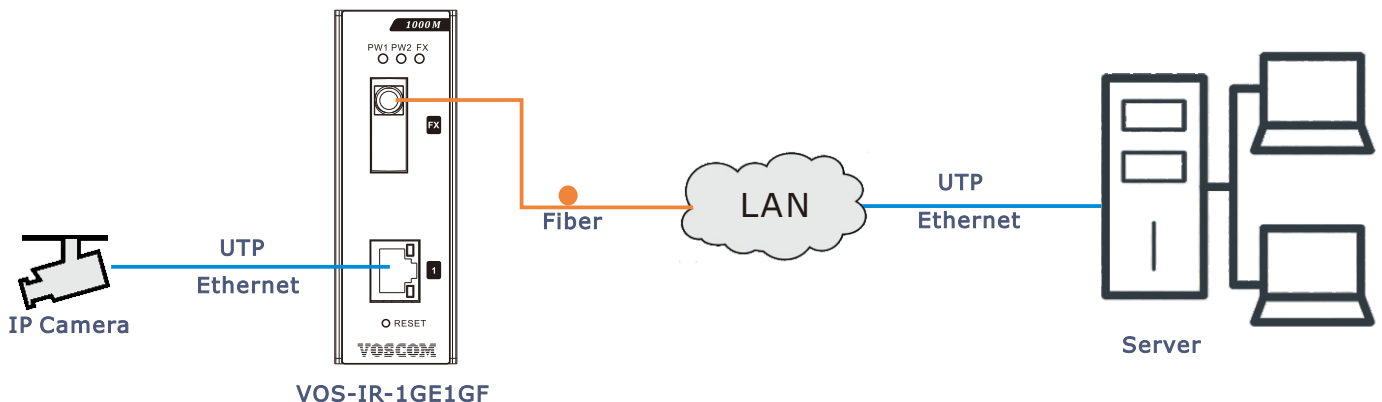
Low power consumption design; DIN-Rail corrugated metal casing, IP40 protection grade; Dual redundant power; wide operating temperature range and port surge protection design, can be deployed in factory automation, transportation, Oil & Gas and many other industrial applications.



Features

- 1 * 10/100/1000BASE-T Ethernet port and 1 * 1000BASE-X Fiber port or SFP port
- IEEE802.3 / 802.3u / 802.3x / IEEE802.3ab / IEEE802.3z, store and forward
- MDI/MDI-X Auto-Crossover supported
- Full/half-duplex auto-negotiation
- Dual redundant power input, with overload protection and reverse polarity protection
- DIN-Rail corrugated metal casing, IP40 protection grade
- Low power consumption design without fan
- -40°C to 85°C operating temperature
- Plug-and-Play

Typical Application



Industrial Ethernet Switch

Specification

• Ethernet

• Standards:

IEEE802.3 10BASE-T
IEEE802.3u 100BASE-TX/FX
IEEE802.3x full-duplex flow control
IEEE802.3ab 1000BASE-T
IEEE802.3z 1000BASE-X

• Processing Type:

Store-and-forward, wire speed switching
Auto Negotiation
Half-duplex back-pressure and
IEEE802.3x full-duplex flow control
Auto MDI/MDIX

• Packet Buffer Memory:

1.5Mb

• Address Table Size:

2K MAC addresses

• Switching Bandwidth:

14G

• Packet forwarding Rate:

10.4Mpps

• Electrical & Mechanical

• LED Indicators:

Ethernet (Per Port): Link/Activity, Speed
Fiber Port: Link/Activity
Power Port

• Power:

DC9~36V / AC12~24V Redundant Input
0.2A@12VDC (No-load)
0.4A@12VDC (Full-load)
5.08mm Industrial Terminal Connector
Overload protection
Reverse polarity protection
Redundancy protection

• Mechanical:

Strengthened Corrugated Metal Case
Protection Grade: IP40
Dimension(L*W*H): 80*97*34mm
Weight: 0.4kg
Installation: DIN-Rail

• Environment:

Operating Temperature: -40°C ~+85°C
Storage Temperature: -45°C~+85°C
Relative Humidity: 5~95%,non-condensing

• Warranty :

MTBF: > 100,000 hrs
Warranty: 3 years

• Interface

• Ethernet Port:

1 * 10/100/1000Base-T,
RJ-45 Connector

• Optical Port:

1 * 1000Base-X,
SC/PC, ST/PC or FC/PC optional
or 1 * Gigbit SFP

• Regulatory Approvals

• EMI:

FCC Part 15, CISPR(EN55022) class A

• EMS:

EN61000-4-2(ESD), Level 4
EN61000-4-3(RS),Level 3
EN61000-4-4(EFT),Level 4
EN61000-4-5(Surge),Level 4
EN61000-4-6(CS),Level 3
EN61000-4-8,Level 5

• Environmental Test Compliances:

IEC 60068-2-6 (Vibration)
IEC 60068-2-27 (Shock)
IEC60068-2-32 (Free Fall)

Industrial Ethernet Switch

Ordering Information

Model Number	Description
VOS-IR-1GE1GF	Industrial Unmanaged 1-port 10/100/1000BASE-T + 1-port 1000BASE-X Fiber Ethernet Switch
VOS-IR-1GE1GF-SFP	Industrial Unmanaged 1-port 10/100/1000BASE-T + 1-port 1000BASE SFP Ethernet Switch

Note:

- Fiber Type support Single-mode or Multi-mode, Dual-Fiber or Single-Fiber.
- Manufacturer's standard: Single-mode 20km or Multi-mode 500m, contact us for others.
- The power supply of Industrial Ethernet Switch series need to be purchased separately.
- If the device with SFP, the SFP need to be purchased separately.
- Please feel free to consult factory for any special requirement and customization.

Optional Accessories (to be purchased separately)

Accessory Model	Description
SFP Modules	SFP Option. Please select your SFP on our SFP Modules page at the back of the catalogue or our website: www.voscom.com for details.
Power supply	Please refer to the power supply information at our website: www.voscom.com or consult our sales at sales@voscom.com for your power system design properly.

Dimensions

