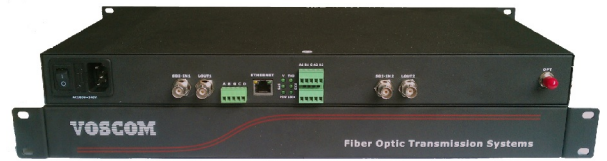


3G-SDI Fiber Optic Extender 2-Channel 3G-SDI + 2 Duplex Audio + 1 Duplex Data

- 2** →
3G-SDI
- ← **2** →
Audio
- ← **1** →
Data

System Design

VOS-2H3G-ADT/R provides for the digital transmission of 2-Channel uncompressed 2.97Gbps 3G-SDI (SMPTE 424M), 1.485 Gbps HD-SDI (SMPTE 292) or 270 Mbps SD-SDI (SMPTE 259M) 1080p HD video over fiber, support 2 duplex analog audio, 1 duplex RS232/RS485 data, 1 duplex or 2 simplex contact closure and 1-channel 10M/100M IP Ethernet, also support one loopback output for local display, and dual outputs for two displays in the remote end. This unit only can support 19inch 1U Rack.



Single-Mode or Multi-Mode, VOS-2H3G-ADT/R can support FC/PC or ST/PC optical connector, the transmission distance range according to the Optical Budget. Manufacturer's standard is: Single-mode 20km, Multi-mode 300m.

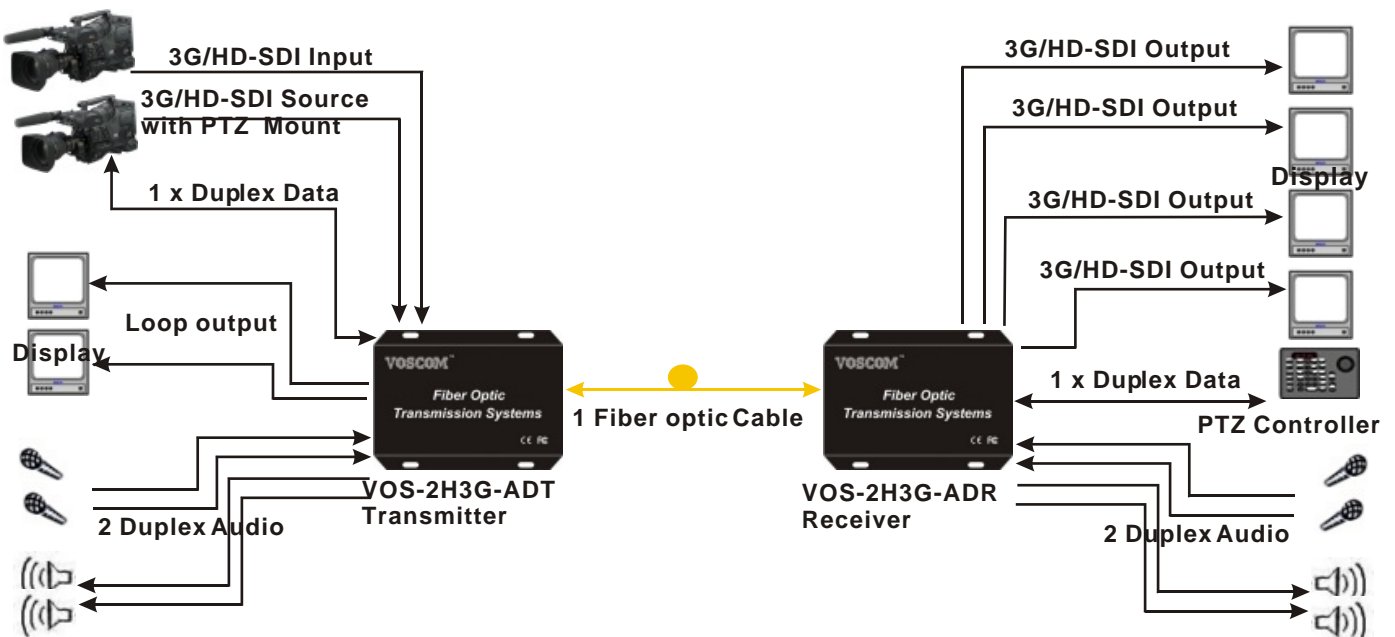
Contact Closure

Features

- Extends uncompressed multi-rate 3G-SDI, HD-SDI or SD-SDI video over fiber
- Supports SMPTE 424M, SMPTE 292M, SMPTE 259M or DVB-ASI compliant
- Supports embedded digital audio stream
- Multi-mode Fiber Support for Distances up to 300m
- Single-Mode Fiber Support for Distances up to 20 km

Ethernet

Typical Configuration



3G-SDI Fiber Optic Extenders

Ordering Information

Model Number		Fiber Mode	Wavelengths	Optical Power Budget	Maximum Transmission Distance
Transmitter	Receiver				
VOS-2H3G-ADMT	VOS-2H3G-ADMR	Multi-Mode	1310/1470/1550nm	16dB	300m
VOS-2H3G-ADST	VOS-2H3G-ADSR	Single-Mode	1310/1470/1550nm	12dB	20km

Note:

- The Optical Power Budget data fit Multit-mode(62.5/125 μ m),Single-Mode(9/125 μ m).
- When using 50/125 μ m multimode fiber, subtract 3 dB from the optical power budget.

Specification

<ul style="list-style-type: none"> • Video <ul style="list-style-type: none"> Number of Channels: 2-Channel 3G/HD/SD-SDI Data Rate: 19.4 Mbps to 2.97 Gbps Standards: SMPTE 424M, SMPTE 292M, SMPTE 259M or DVB-ASI Max Resolution: 1920 x 1080 @ 60Hz Equalization: Automatic up to 100m of Belden 1694A at 3.0 Gbps, 200m at 1.485 Gbps and 350m at 270 Mbps Return Loss: > 15dB to 1.485Gbps: > 10dB to 2.97 Gbps 	<ul style="list-style-type: none"> • Connectors <ul style="list-style-type: none"> Video Connector: 75 Ohm BNC (Gold Center Pin) Audio Connector: Terminal Block Data Connector: Terminal Block Optical Connector: FC/PC or ST/PC Optional Stand-Alone Power: Screw terminal block Rack Power: AC line cord
<ul style="list-style-type: none"> • Audio <ul style="list-style-type: none"> Number of Channels: 2-Ch Duplex Analog Audio Audio in/output impedance: 600 Ohm Unbalanced Bandwidth: 20Hz ~ 20KHz Bit Resolution: 24-Bit Signal-to-Noise Ratio(SNR): > 80 dB 	<ul style="list-style-type: none"> • Electrical & Mechanical <ul style="list-style-type: none"> Input Power Requirements: DC 5V@4A Power Adapter: AC 100V~240V (Built-in) Power Consumption: < 10W 19inch 1U Dimensions: 483mm × 255mm × 46mm Shipping Weight: 8kg (include TX & RX)
<ul style="list-style-type: none"> • Data <ul style="list-style-type: none"> Data Formats: 1-Channel Duplex RS232 & Rs485 Data Data Rate: DC to 115.2Kbps Bit Error Rate: 10E-9 	<ul style="list-style-type: none"> • Environmental <ul style="list-style-type: none"> Operating Temperature: -45° C ~ +75° C Storage Temperature: -45° C ~ +85° C Relative Humidity: 0%~95% (non-condensing) MTBF: >100,000 hours